

ROPERS
CARAVAN WORLD

Tive TITANIUM



EXCLUSIVE
TO ROPERS





Everything you need to know about *Jive* **TITANIUM**

Bailey of Bristol in partnership with Ropers is delighted to announce the arrival of the all-new Jive Titanium, a touring caravan range that offers you the best possible combination of comfort, practicality and value.

Exclusive to Ropers, the Jive Titanium comes with a host of additional features that make your time away in these special caravans as relaxing and enjoyable as possible. Notably, these include an AL-KO ATC Trailer Control System, a Truma 100w solar panel, TRACKER PIR activated intruder alarm, an exterior BBQ point & 230v socket, bespoke soft furnishing & graphics schemes – plus much more, all included as standard specification.



Model shown: Jive Titanium 642

Bespoke caravan bedding sets to co-ordinate with caravan soft furnishings available as a cost option

As with all Bailey leisure vehicles, models are built using our patented Alu-Tech construction technology, cloaked in a GRP outer skin, making them more robust, more durable and yet lighter than those manufactured using conventional methods to offer greater protection against the elements to keep you comfortable, safe and secure all year round.

Available in a choice of seven different layouts, including one twin axle option, the new Jive Titanium truly has something for everyone

Enjoy your holiday your way.

YOUR HOLIDAY
your way



1. Truma gas BBQ point
2. Exterior 230v socket and 230v power inlet for mains hook-up
3. Truma 100 watt solar panel
4. Hartal GRP skin two-part large aperture door with window, waste bin and dustpan & brush
5. Thetford Caprice combined oven, grill and hob with electronic ignition and flame failure device
6. Drop-down kitchen worktop extension
7. TRACKER PIR activated intruder alarm
8. Bespoke Jive Titanium entrance door mat
9. Bespoke Jive Titanium graphics scheme
10. Bespoke Jive Titanium soft furnishings
11. Swan-neck kitchen mixer tap
12. Remis pleated flyscreen and blinds to principal windows
13. The Jive Titanium also includes

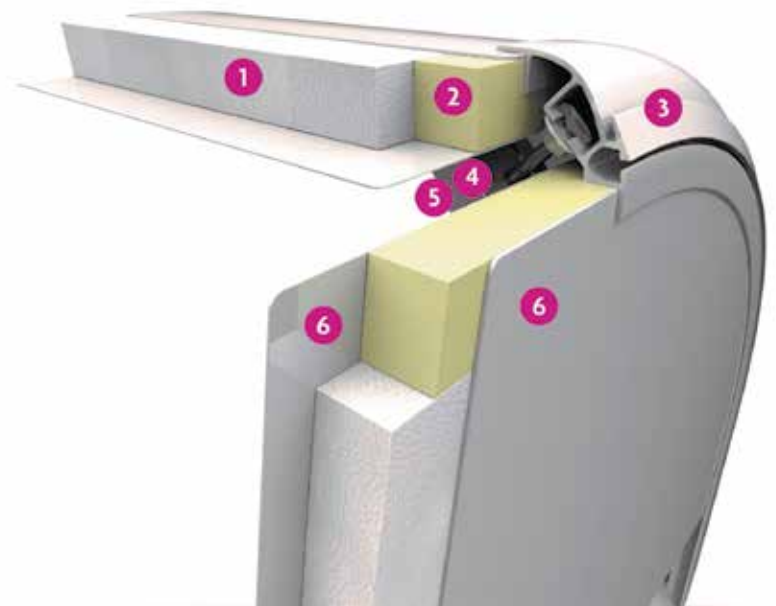


Alu-Tech is Bailey's patented construction system. Using an interlocking aluminium framework to clamp the body panels together, Bailey has created a shell that is much more robust and durable than anything that has come before.

To date, over 50,000 Bailey leisure vehicles have been built with this fully patented technology and are currently being used and enjoyed around the world.



1. Polystyrene core
2. Composite plastic extrusion
3. Alu-Tech rail
4. Structural fixing bracket
5. Alu-Tech rail insulation
6. GRP (glass reinforced plastic) outer and inner skin



How is Alu-Tech better?

1. Increased strength and durability...

giving you greater protection against the elements to keep you comfortable, safe and secure all year round.

2. Improved insulation...

keeping you warmer in the winter and cooler in the summer allowing you to holiday whenever and wherever you want.

3. Improved protection...

greater resistance to the elements increases the longevity of the vehicle and provides additional peace of mind to the owner.

4. Lighter bodyshell...

making Bailey caravans accessible to a wider range of tow vehicles and making it more economical to own.

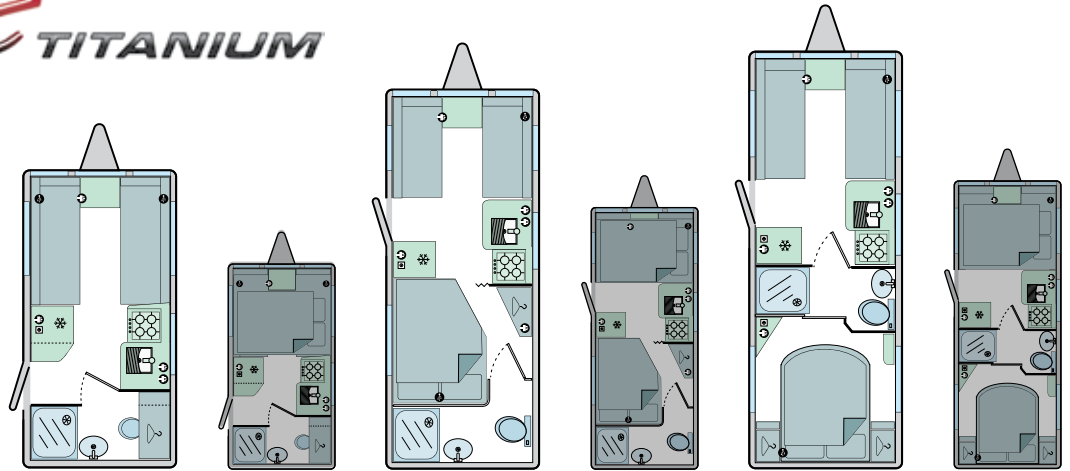
5. Better balanced bodyshell...

makes the caravan inherently more stable enabling it to take even the most demanding journeys in its stride.

6. Cost neutral improvements...

all of the benefits of Alu-Tech come at no extra cost to the customer.

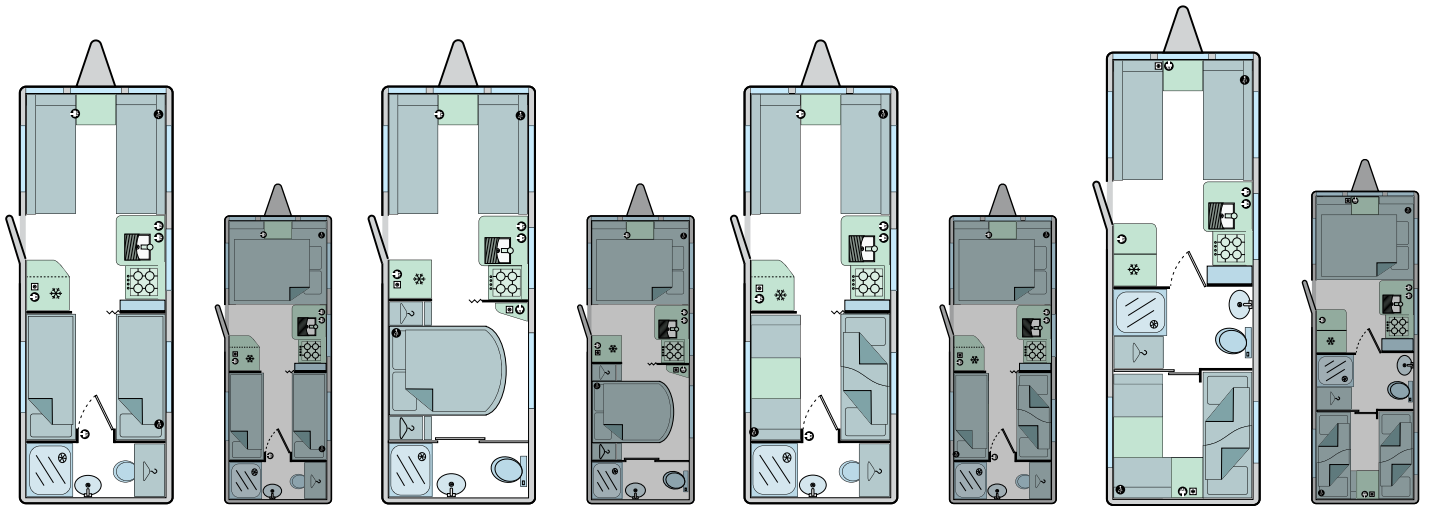
Jive TITANIUM



	420	440	640
Berths	2	4	4
Internal Length	4.032m / 13'2"	5.351m / 17'7"	5.841m / 19'2"
Shipping Length	5.564m / 18'3"	6.882m / 22'7"	7.369m / 24'2"
Overall Width	2.212m / 7'3"	2.212m / 7'3"	2.212m / 7'3"
Overall Height	2.624m / 8'7"	2.624m / 8'7"	2.624m / 8'7"
Internal Headroom	1.960m / 6'5"	1.960m / 6'5"	1.960m / 6'5"
Awning Size	857cm	995cm	1035cm
Tyre Size	185/R14C LI104N	185/R14C LI104N	185/R14C LI104N
MTPLM	1164kg	1340kg	1407kg
MRO	1047kg	1190kg	1252kg
Total User Payload	117kg	150kg	155kg

Bed Sizes			
Front Double	6'2" x 4'9"	6'2" x 3'7"	6'2" x 4'7"
Front N/S Single	6'1" x 2'1"	4'11" x 2'1"	5'11" x 2'1"
Front O/S Single	6'1" x 2'1"	4'11" x 2'1"	5'11" x 2'1"
Rear N/S Single	-	-	-
Rear N/S Overhead Single	-	-	-
Rear N/S Fixed Single	-	-	-
Rear O/S Fixed Bunks	-	-	-
Rear O/S Fixed Single	-	-	-
Rear Fixed Double	-	6'3" x 4'4"	6'2" x 4'6"

A tolerance in the MRO has been allowed for in the calculations of Payload Margins. The awning length measurement shown is to be interpreted as a guide only and an enquiry should be made to individual awning manufacturers as to the correct size.



642	644	650	760 (Twin axle)
4	4	5	6
5.841m / 19'2"	5.841m / 19'2"	5.841m / 19'2"	6.334m / 20'9"
7.369m / 24'2"	7.369m / 24'2"	7.369m / 24'2"	7.863m / 25'10"
2.212m / 7'3"	2.212m / 7'3"	2.212m / 7'3"	2.212m / 7'3"
2.624m / 8'7"	2.624m / 8'7"	2.624m / 8'7"	2.624m / 8'7"
1.960m / 6'5"	1.960m / 6'5"	1.960m / 6'5"	1.960m / 6'5"
1035cm	1035cm	1035cm	1079cm
185/R14C LI104N	185/R14C LI104N	185/R14C LI104N	185/65 R14 LI93N
1406kg	1398kg	1412kg	1630kg
1251kg	1243kg	1247kg	1450kg
155kg	155kg	165kg	180kg
6'2" x 4'7"	6'2" x 4'7"	6'2" x 4'7"	6'2" x 4'9"
5'11" x 2'1"	5'11" x 2'1"	5'11" x 2'1"	6'1" x 2'1"
5'11" x 2'1"	5'11" x 2'1"	5'11" x 2'1"	6'1" x 2'1"
-	-	6'2" x 2'3"	5'10" x 2'3"
-	-	-	5'7" x 2'0"
6'2" x 2'2"	-	-	-
-	-	6'1" x 2'2"	6'1" x 2'2"
6'2" x 2'2"	-	-	-
-	6'2" x 4'6"	-	-

Visit www.baileyofbristol.co.uk for equivalent Phoenix metric bed sizes (bed sizes are measured at the widest point of the bed).

ABOUT ROPERS CARAVAN WORLD

Established in 1981 Ropers Caravan World is still owned and managed by the Roper family whose ethos is to deliver value for money through quality products and excellent customer service.

Growing from a single acre site the business now operates from a purpose built site of over 3 acres incorporating a 7 bay workshop, heated showroom, large accessory shop and on site coffee shop. There is ample parking and the site is easily accessible from the A1.

The family are supported by an experienced workforce benefiting from over 250 years of combined industry experience dedicated to delivering a personal and professional service.

As the largest Bailey dealer in the North East Ropers are proud to offer the complete Bailey range of caravans, Advance motorhomes and our Exclusive Bailey Jive's, complemented by a vast array of quality pre-owned stock.



ROPERS ARE PROUD TO BE:

- 2018 Gold Award winners of the Practical Caravan owner satisfaction awards for both New and Used Caravans
- NCC Approved Dealership
- AWS Approved Workshop
- Camping & Caravanning Club Preferred Dealer



CONTACT US

Ropers Caravan World, Gatherley Road, Catterick Bridge, North Yorkshire, DL10 7SL

Tel: 01748 818 666 **Email:** enquiries@ropersleisure.co.uk **Website:** www.ropersleisure.co.uk